

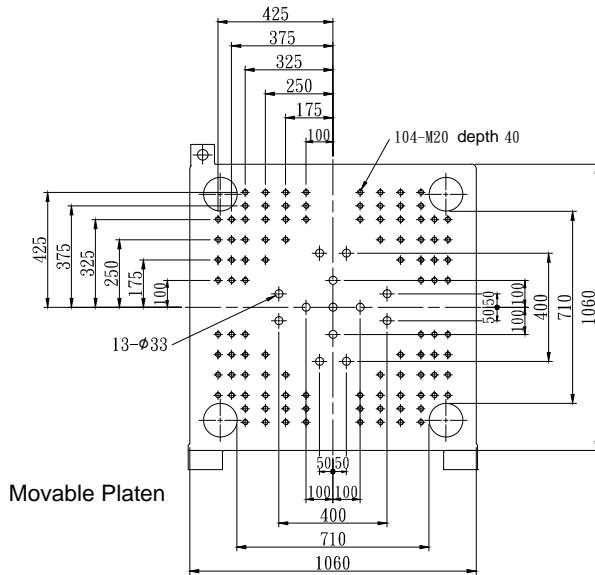
Injection unit			
Type of injection	IU 350B		
Screw diameter	mm	60	65
Injection pressure	kg/cm ²	1866	1590
Theoretical shot volume	cm ³	919	1078
Shot weight (PS)	g	836	981
Theoretical injection volume	cm ³ /sec	391	458
L/D Ratio	L/D	21.6	20
Plasticizing rate (PS)	kg/hr	216	253
Injection stroke	mm	325	
Max. injection speed	mm/sec	138	
Screw speed	r.p.m	250	
Nozzle contact force	ton	10.7	
Hopper Capacity	l	100	
Cylinder Temperature Control zone	Cylinder ×4 zones . Nozzle ×1 zone		
Clamping unit			
Clamping system	Double toggle		
Clamping force	ton	350	
Opening stroke	mm	665	
Overall size of platens (H×V)	mm	1060×1060	
Distance between tie-bars (H×V)	mm	710×710	
Mould height	mm	300-650	
Max. daylight opening	mm	1315	
Ejector system	Hydraulic (13 points)		
Ejection stroke	mm	150	
Ejection force	ton	7.7	
General data			
Pump unit	kw	33	
Heating capacity of screw cylinder	kw	17.2	18
Total power capacity	kw	50.2	51
Oil tank capacity	l	465	
Net weight(without oil) approx.	ton	n/a	

EB=Energy-Efficient Big Shot Size Series

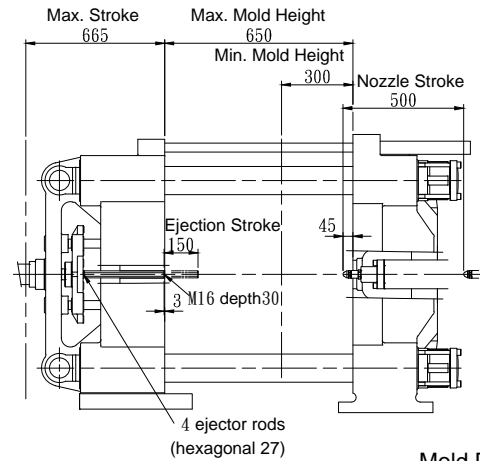
We reserve the right to make changes as a result of further technical advantages

VM 350EB

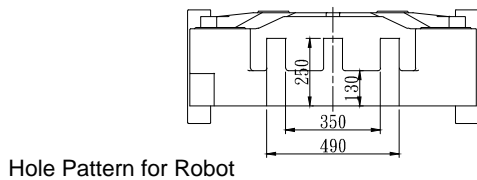
Mold Dimensions Unit : mm



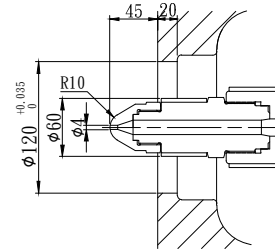
Movable Platen



Mold Dimensions

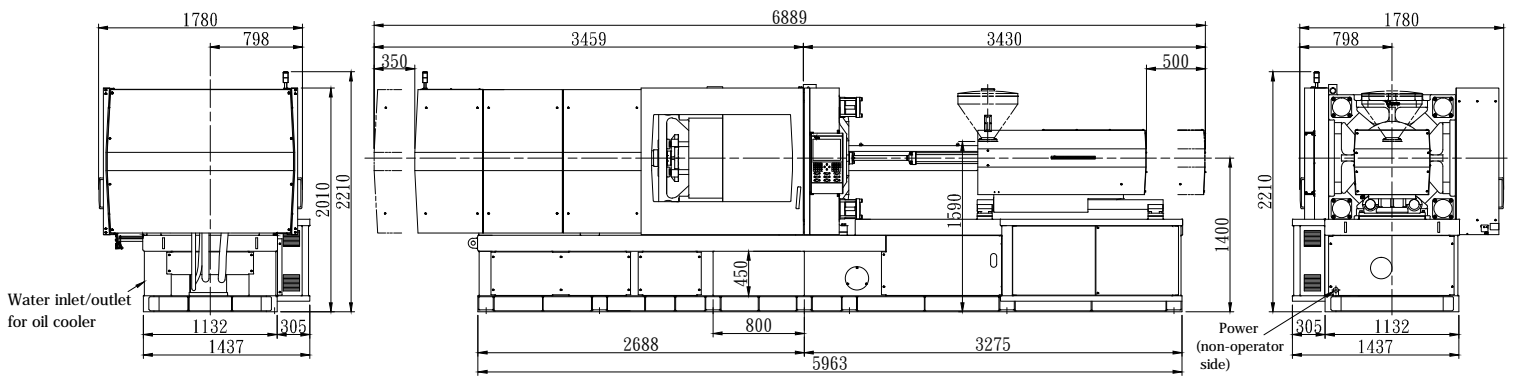


Hole Pattern for Robot



Nozzle Dimensions

Machine Dimensions Unit : mm



Water inlet/outlet for oil cooler

Power (non-operator side)